



# Programmable Interval Timer

Model 10638

## 12-240 VAC Interval Timer, fits in Electrical Boxes Decora

### DESCRIPTION

Model 10638 is a programmable interval timer with a weekly clock that is designed to fit in a “Decora” style electrical enclosure. This device requires a deep electrical box. The 10638 Timer can store up to 30 intervals. Interval sequences can be programmed to start on power, daily, or weekly. The time is programmed through an isolated infrared input.



### SPECIFICATIONS

Power Switching Capability	NO: 40A at 240 VAC, Resistive 30A at 277 VAC, General Purpose 25A at 277 VAC, Resistive, 100k cycles 20A at 240 VAC, Resistive, 250k cycles 2HP at 250 VAC 5A at 280 VAC, Ballast NC: 30A at 240 VAC / 30 VDC Resistive 20A at 277 VAC, General Purpose 1 1/2 HP at 250 VAC 5A at 280 VAC, Ballast
Input	Infrared
Memory Capacity	30 Intervals
Time Base	100 ms
Operating Temperatures	-20°C to 85°C
Operating Voltage	12-240 VAC
Dimensions ( L x W x H )	4.2 x 1.31 x 1.45
Time Base	60 Hz Line Frequency

### FEATURES

- Easy to install and use.
- Rugged Industrial Design
- 30A current capacity
- Stores up to 30 intervals
- Weekly Clock
- Programmable

### APPLICATIONS

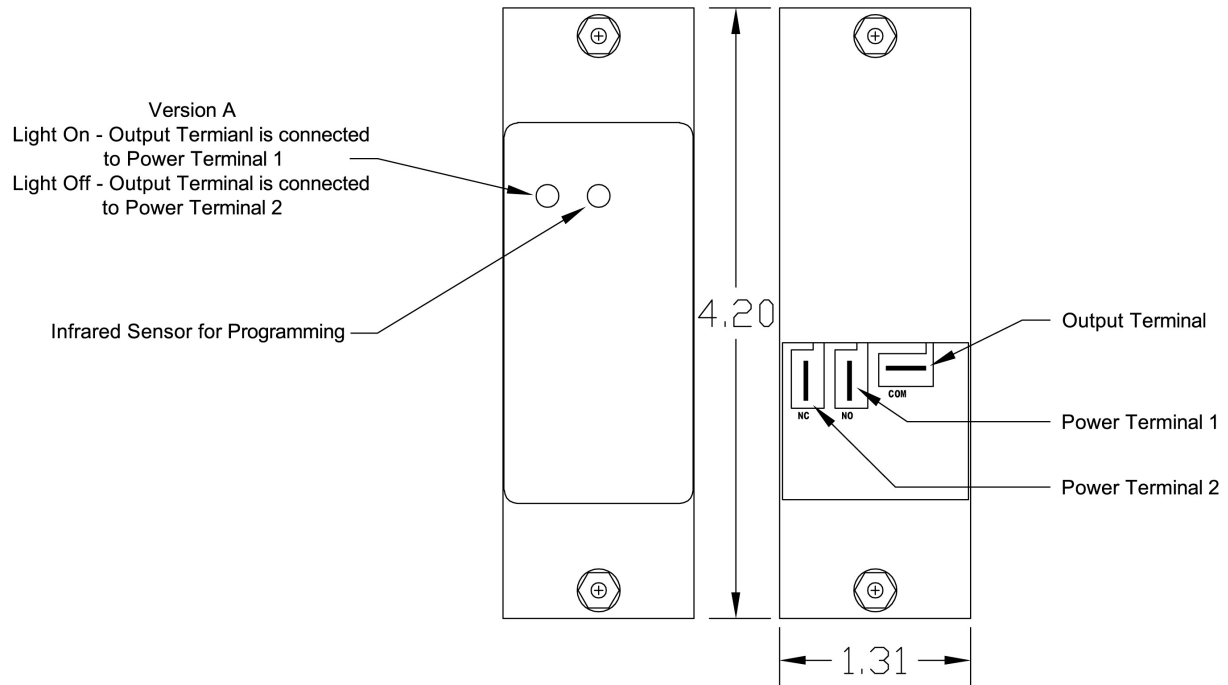
- Spa control
- Outdoor lighting timer
- Motor control
- Conveyor control
- Pumping control
- Park lighting timer
- Pool timer
- Heating and air conditioner control
- Irrigation timer
- Process control
- Hot water circulation timer
- Building environment control

### ORDERING

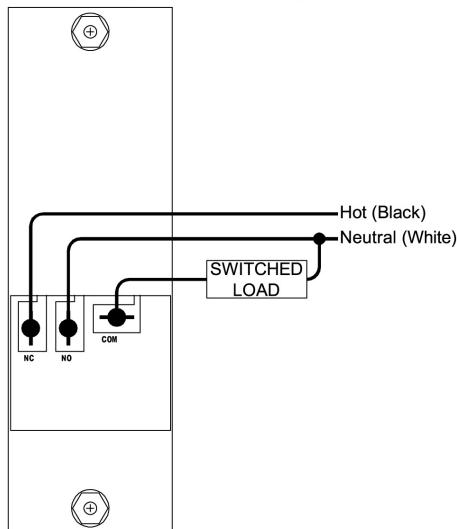
Series	Operating Voltage
10638	A → 12 VAC
	B → 24 VAC
	C → 120 VAC
	D → 220 VAC
	E → 240 VAC



# Programmable Interval Timer Model 10638



## Normally Closed Operation



## Normally Open Operation

