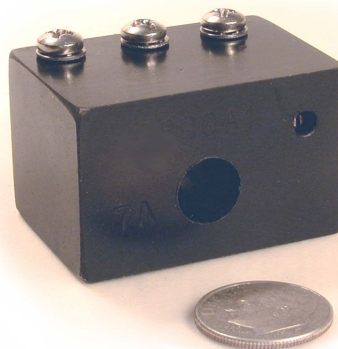


DESCRIPTION

Model 9800 is a small, low cost current switch which senses currents between 0.1A and 5A. This single phase current sensor is available with three different output types. The current trip point is continuously adjustable. This series is also available in a wide range of operating voltages.



SPECIFICATIONS

Sensing Ranges	0.1-5A
Sensor Frequency Range	50-60 Hz
Trip Point	Adjustable
Response Times	Off to On -10ms, On to Off -160ms
Temperature Range	0-70°C
Maximum Wire Size	3/8"
Dimensions (L x W x H)	1.1 x 1.5 x 1 inches
Connections	6-32 Screw Terminals (3)
Operating Voltage	Specify when ordering (See Below)
Output Type	Relay or Open Collector NPN (See Below)
Output Rating	Relay – 30A or NPN Transistor – 0.2A
Operating Current	4mA @ 5VDC

ORDERING

Series	Operating Voltage	Output Type
9800	A → 120VAC*	1 → Open Collector NPN Low on Trip
	B → 5VDC	2 → Open Collector NPN Open on Trip†
	C → 12VDC	3 → Relay(Not for New Designs see model 9993)
	D → 24VDC	* (Not for new designs see model 9993) Only available with output type 3
	E → 48VDC	† Special Order
	F → 3VDC†	

FEATURES

- Encapsulated to prevent environmental and physical damage
- Solid-state
- Accommodate wires up to 3/8 inch
- Currents as low as 0.1A
- Outputs are isolated from monitored lines

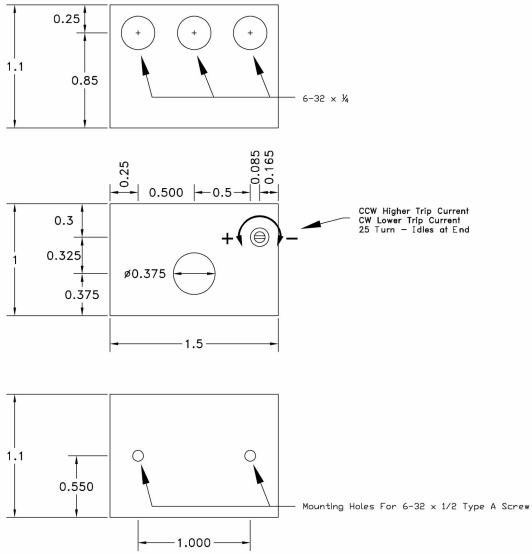
APPLICATIONS

- Protects motors
- Increases Motor Life
- Pumping
- Irrigation
- Conveyors
- Loaders
- Fans and Blowers
- Ovens and Heaters
- Waste Management
- Material Handling
- Industrial Process Control

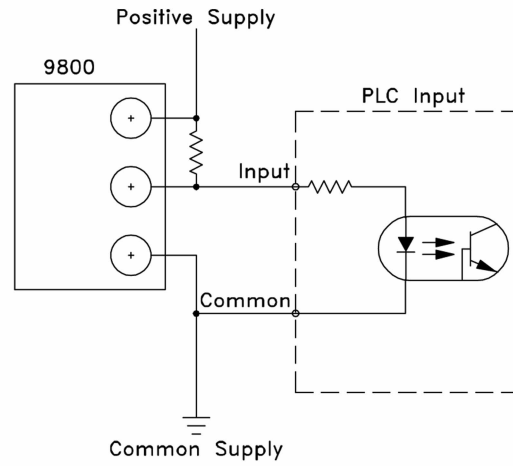


AC Current Sensor

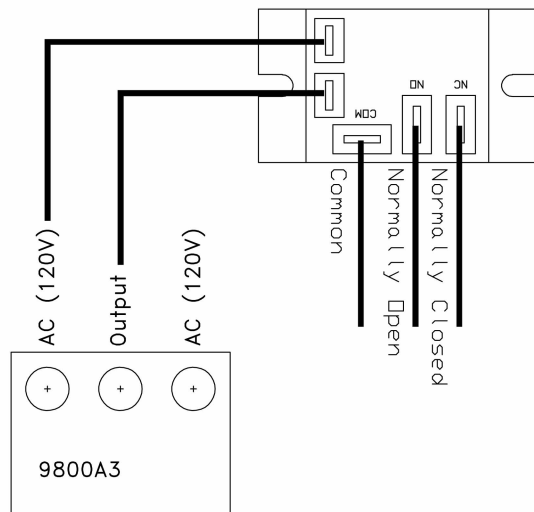
Model 9800



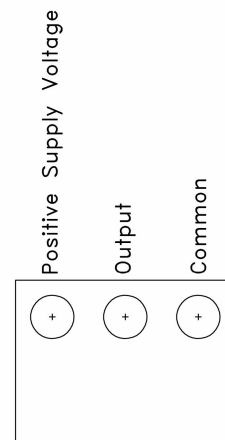
Example of 9800 connected to PLC



DC Version with NPN Transistor Output



AC Version with Relay Output



DC Version with NPN Transistor Output